



Wood Multi-Sided Series

Woodburning Fireplaces



heatilator[®]
The first name in fireplaces

Wood Multi-Sided Series, the Possibilities are Unlimited!

- Your choice of see-through, corner and peninsula models
- Full refractory lining, steel grate, safety fire screen and ash lip create a true masonry fireplace appearance
- Stunning variety of designer option choices, including glass doors, gas logs, wood and cast surrounds, and granite and marble finishing materials
- Radiant, clean-faced design allows finishing materials to be brought up to the fireplace opening
- Outside air kit standard in see-through and peninsula models; optional in corner models
- A hearth extension is required
- Tested and listed to UL127 safety standards
- Heatilator Warranty



See-through model shown standard and Fireside Furnishings Plymouth mantel and beige marble



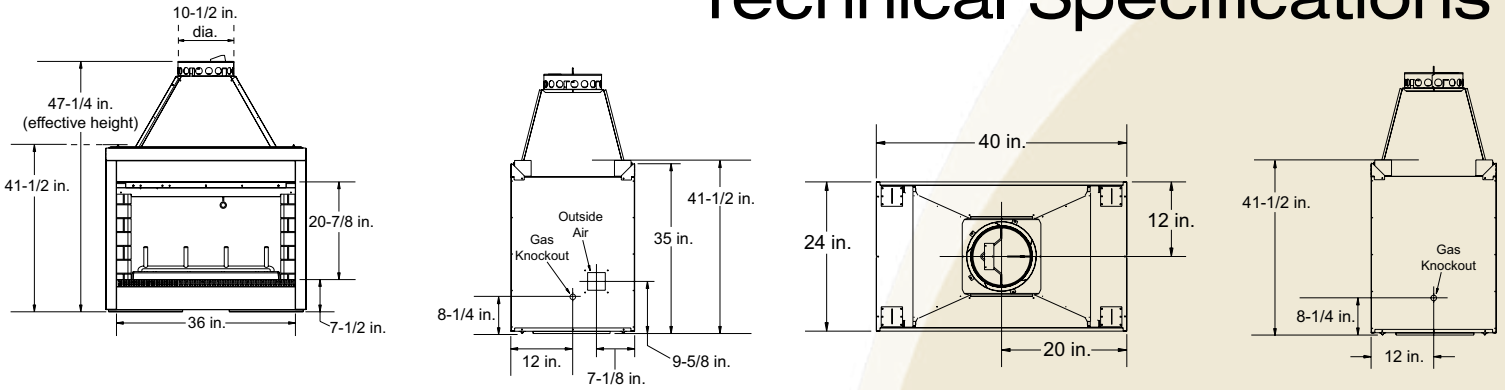
Corner model shown with optional glass doors



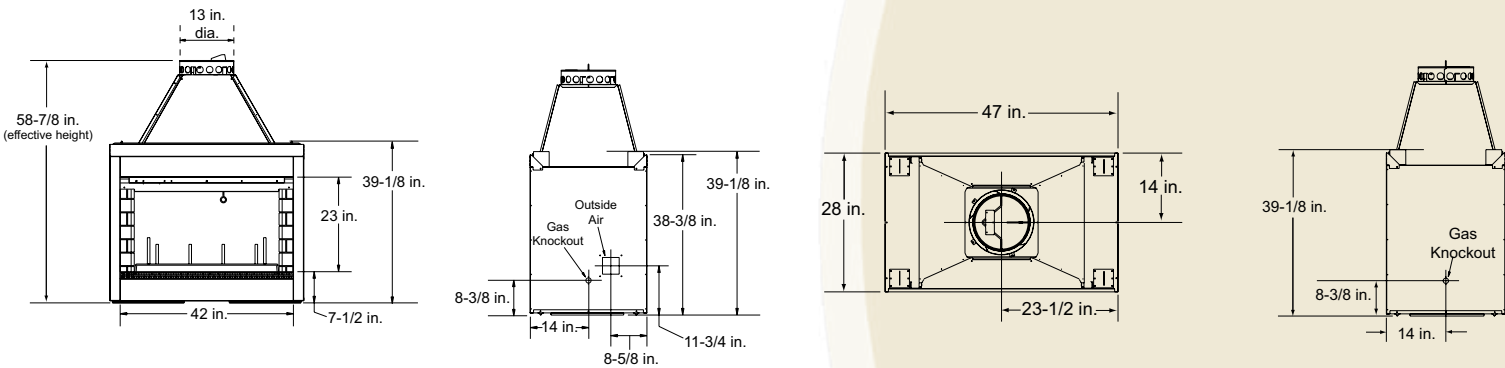
Peninsula model shown with optional glass doors

Wood Multi-Sided Series Technical Specifications

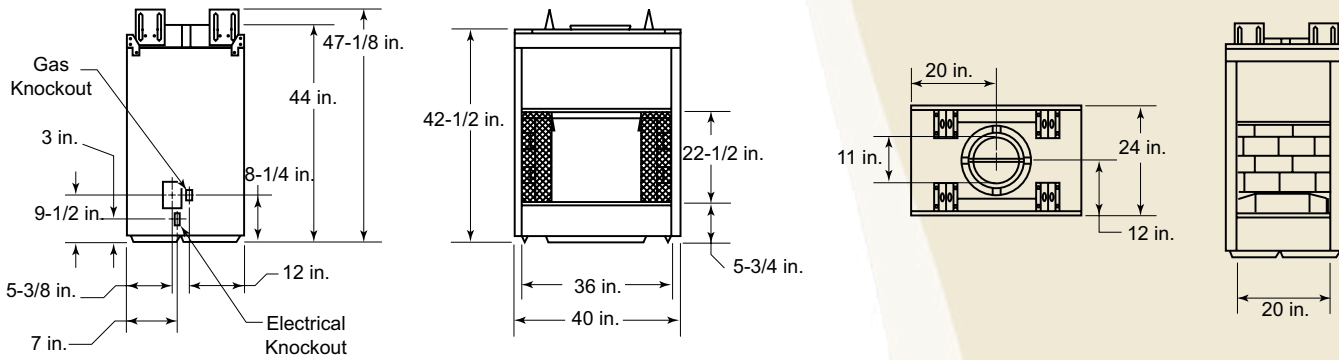
ST36D



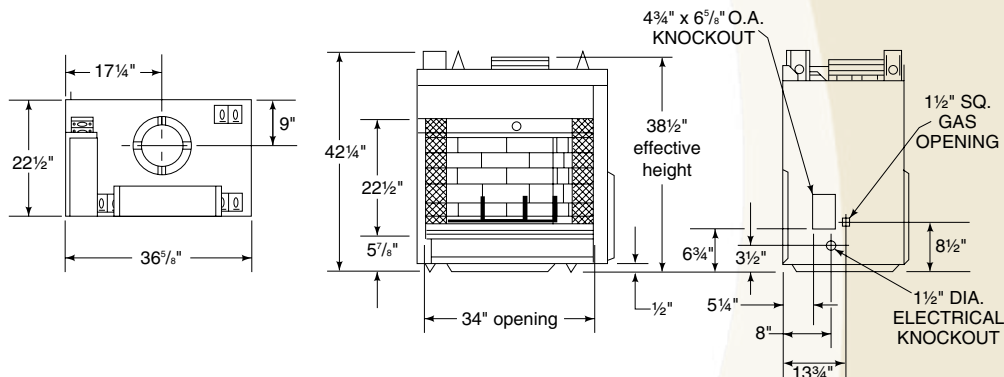
ST42A



FL92



CL36D & CR36D



Please refer to installation instructions for complete specifications and framing dimensions when installing this product.
Go to www.heatilator.com to download.

Wood Multi-Sided Series

Models Available*

Configuration	Model No.	Viewing Width
See-through	ST36D or ST42A	36" & 42"
Peninsula	FL92	36"
Left or Right Corner	CL36D or CR36D	34"

Options*



Glass Doors



Gas Logs

Options Not Pictured*

Remote Controls (for gas logs)
Outside Air Kit (for corner units)
Chimney Air Kit
Mantels and Surrounds

Venting

Heatilator SL300 or SL1100 Series

AVAILABLE FROM

heatilator
The first name in fireplaces

a brand of Hearth & Home Technologies Inc.

1915 West Saunders Street

Mt. Pleasant, Iowa 52641

800-927-6841 • heatilator.com

The information provided in this literature is for planning purposes only and subject to change. Please consult the installation manual for actual installation. Actual product appearance may differ from product images. The flame and ember appearance may vary based on the type of fuel burned and venting configuration used. For full warranty details, go to heatilator.com.

*Please consult the MSRP book for a complete list of models and optional accessories

HTL-1023U-1008